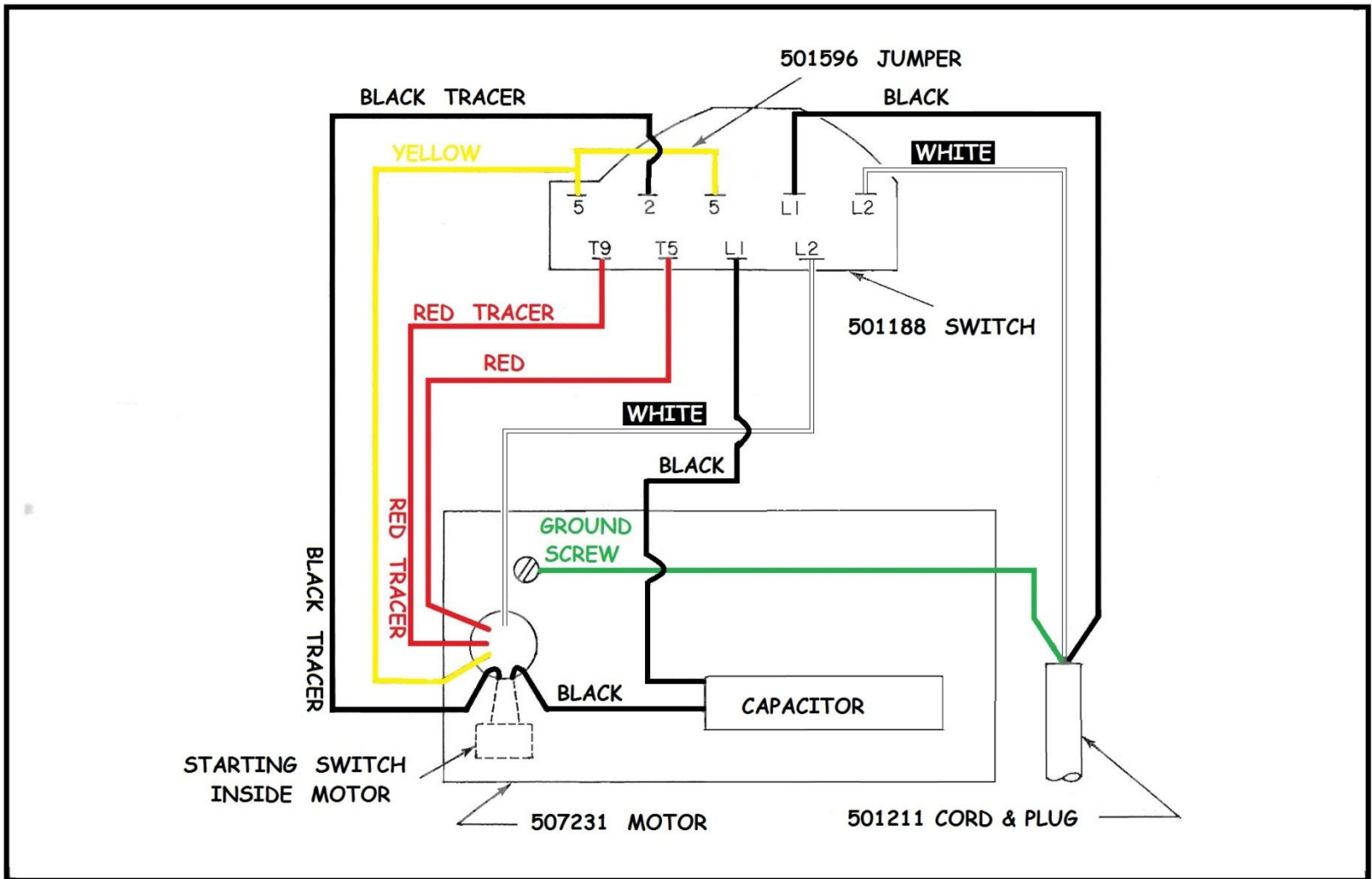
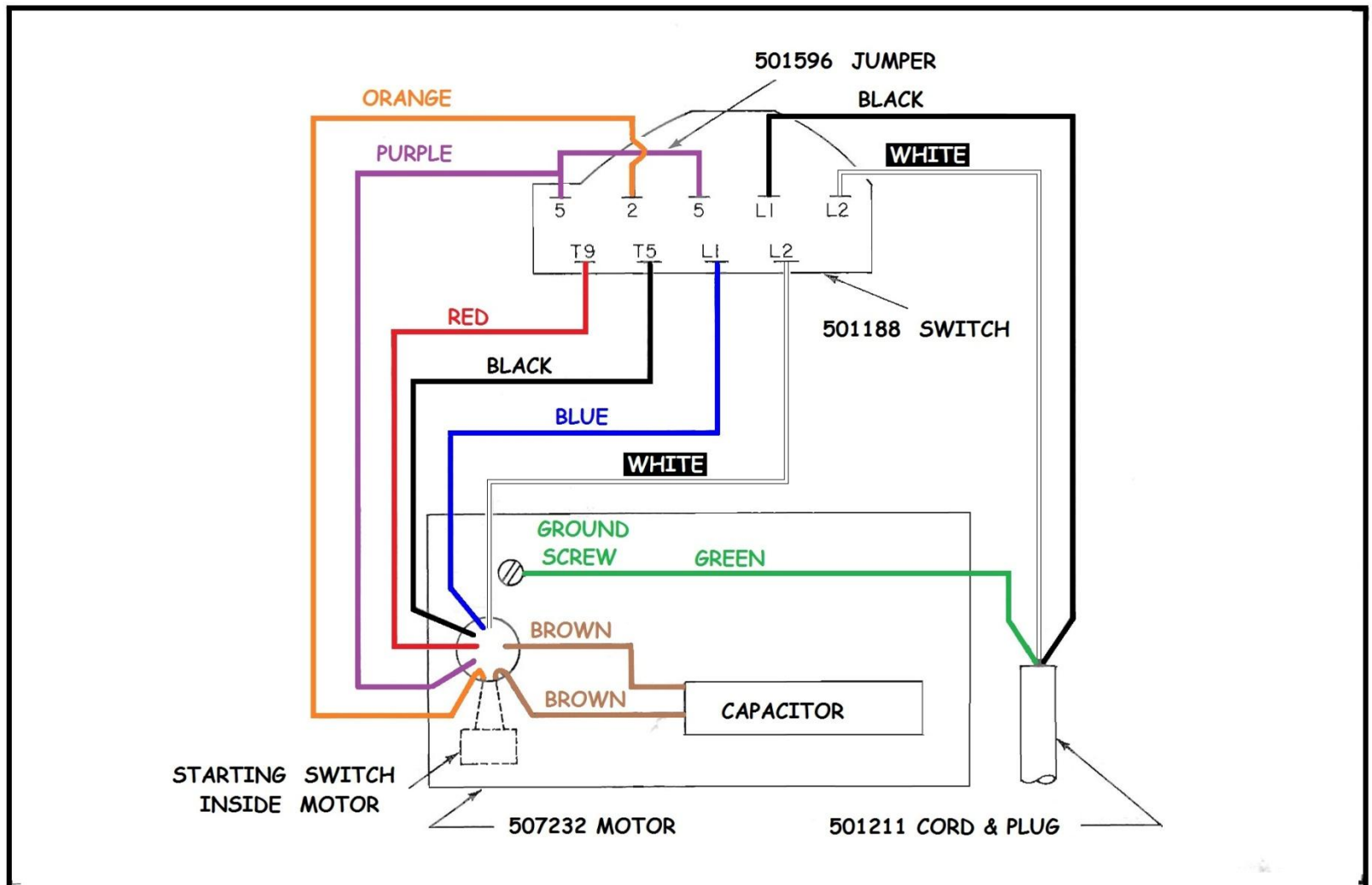


ELECTRICAL CONNECTION DIAGRAMS MARK VII



With A. O. Smith Motor



With General Electric Motor