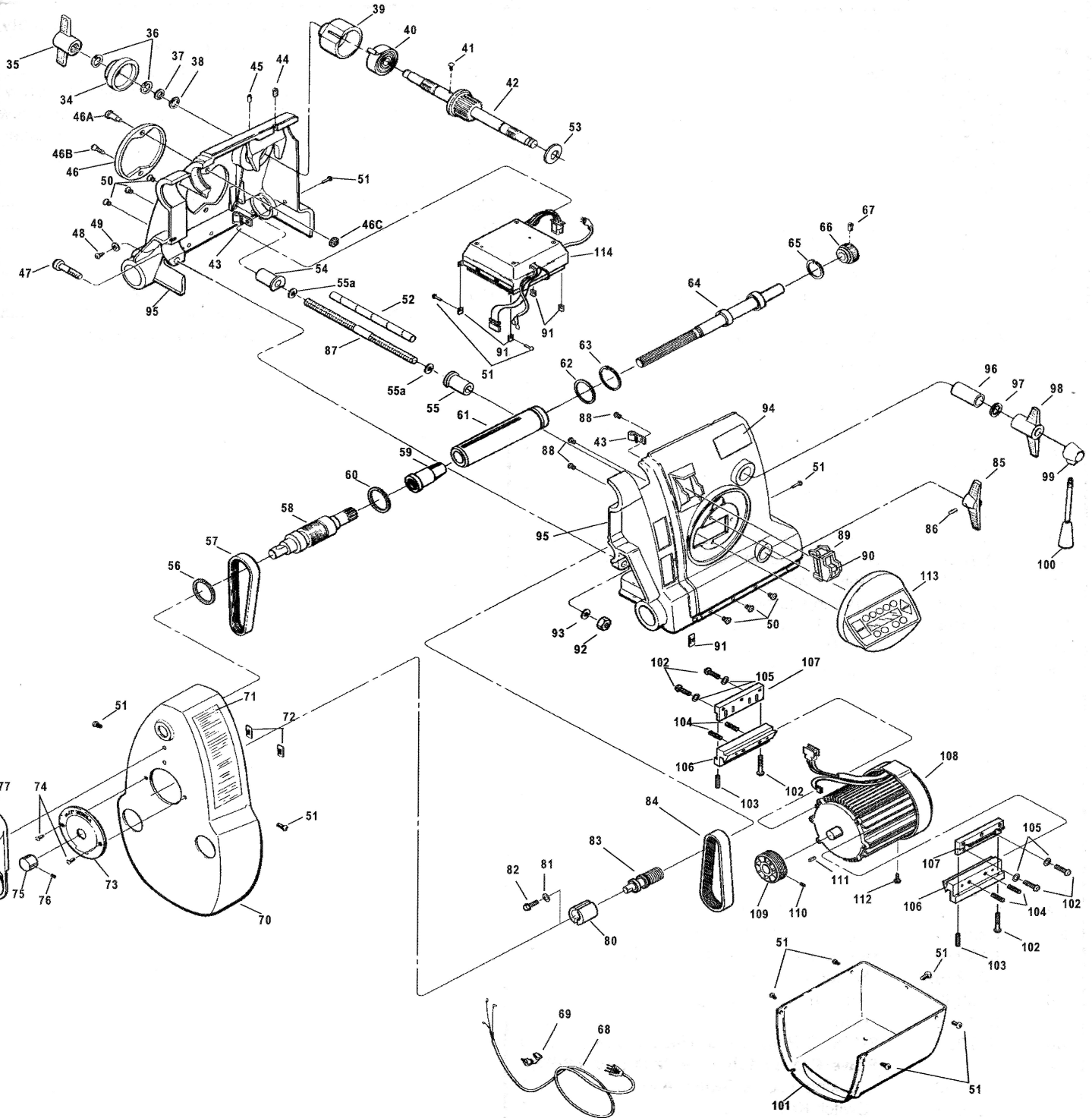


# Shopsmith PowerPro® HEADSTOCK



Ref. No.	Part No.	Description	Qty.	Ref. No.	Part No.	Description	Qty.
—	556176	PowerPro Headstock Asmy (incl. 34-114)		41	145378	.. Drive Screw .....	1
—	504171	.. Quill Feed Assembly (incl. 34-42)		42	501312	.. Quill Feed Pinion .....	1
34	5013149	.. Feed Stop .....	1	43	514779	.. Wire Retaining Clip .....	2
35	5041729	.. Feed Stop Handle .....	1	44	501634	.. Setscrew .....	1
36	501311	.. Serrated Washer .....	2	45	513056	.. Allen Setscrew .....	1
37	501627	.. Washer .....	1	46	51372304	.. Logo Cover .....	1
38	501626	.. Retaining Ring .....	1	46A	516531	.. Pivot Pin .....	1
—	521875	.. Quill Spring Housing Asmy (incl. 39-40)		46B	449613	.. Screw, Phillips Head, 8-32 x 3/8" .....	1
39	501310*	.. Spring Housing .....	1	46C	516536	.. Push Nut .....	1
40	501315*	.. Quill Spring .....	1	47	516895	.. Machine Screw, 5/16 x 1-3/4" .....	1