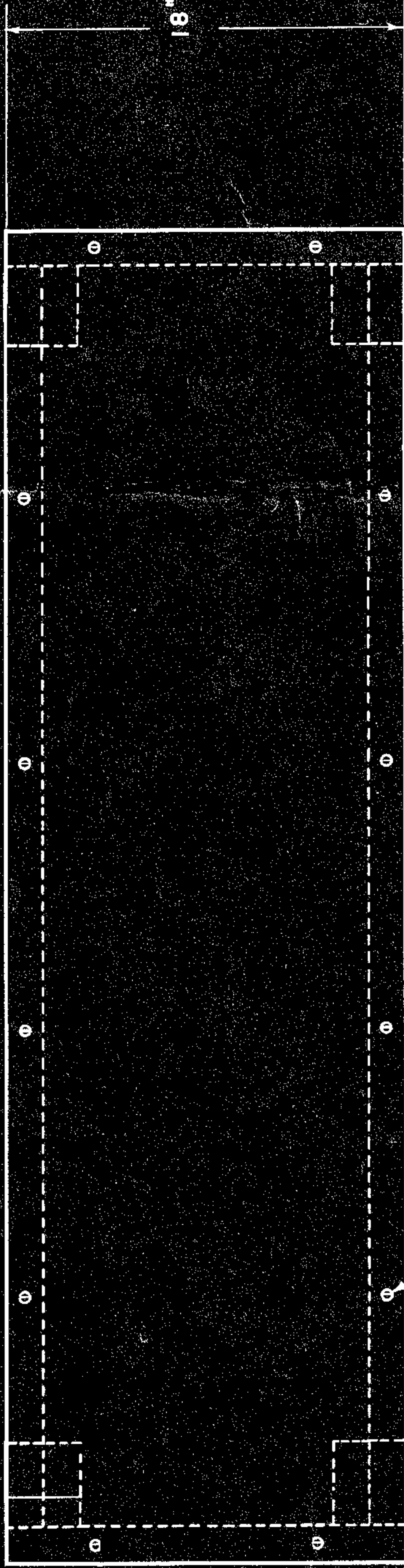


NOTE

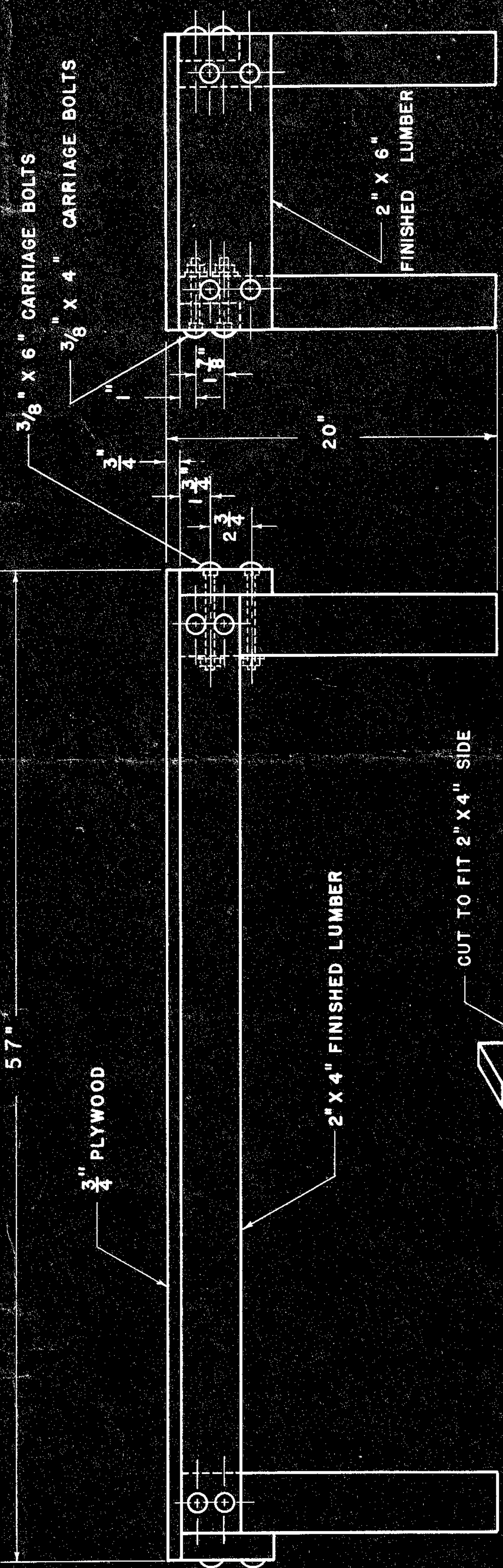
THREE PIECES OF 2" X 6" FINISHED LUMBER LAID WITH 9/16" SPACES MAY BE SUBSTITUTED FOR PLYWOOD TOP. SECURE TO FRAME WITH NO. 12 X 2 1/2" FLAT HEAD WOOD SCREWS.

MATERIAL LIST	
TOP-	1 PIECE 3/4" PLYWOOD 18" X 57"
SIDES & LEGS-	1 PIECE 2" X 4" X 10' FINISHED LUMBER
	1 " 4" X 4" X 7' "
ENDS-	1 PIECE 2" X 6" X 4' FINISHED LUMBER
	BOLTS, NUTS, & WASHERS -
	8-3/8" X 6" CARRIAGE BOLTS
	8-3/8" X 4" "
	16-3/8" SQUARE NUTS
	16-3/8" WASHERS
	12-NO. 12 X 1 3/4" FLAT HEAD WOOD SCREWS

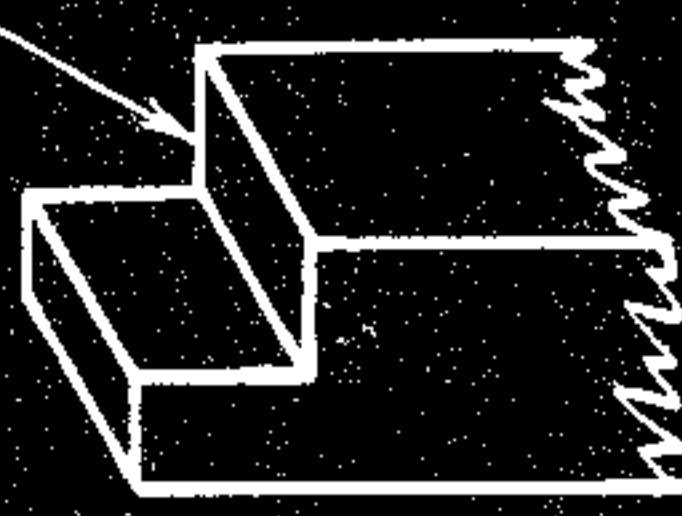


NO. 12 X 1 3/4" FLAT HEAD WOOD SCREWS

MOUNT SHOPSMITH BASE PLATE FLUSH WITH END OF BENCH. SET HEADREST UNDER TUBES AT OTHER END. MARK HOLES FOR HEADREST AND BASE PLATE. DRILL 3/8" DIAM., 5 HOLES. SEE OWNER'S GUIDE PAGES 3 & 4.

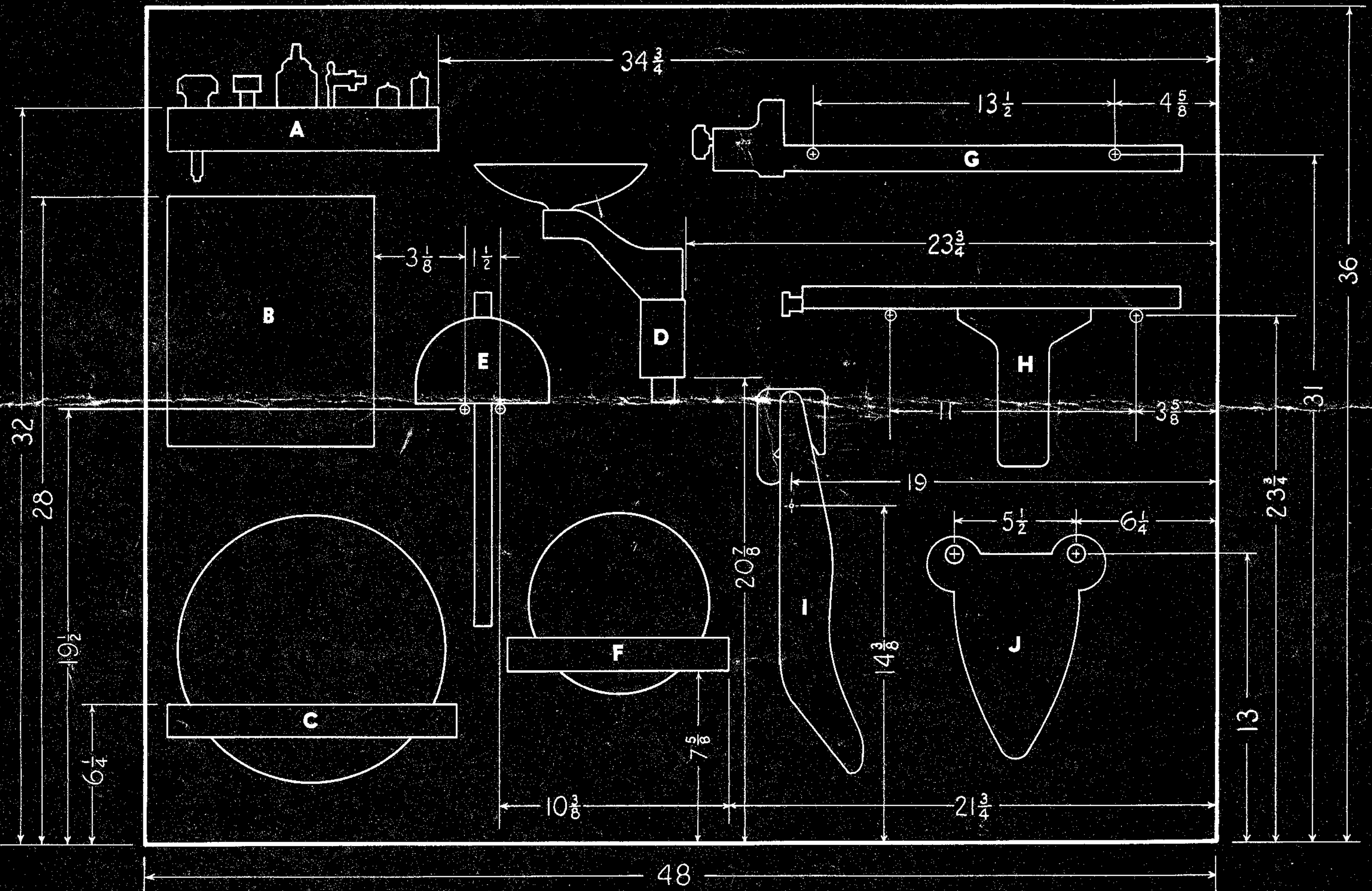
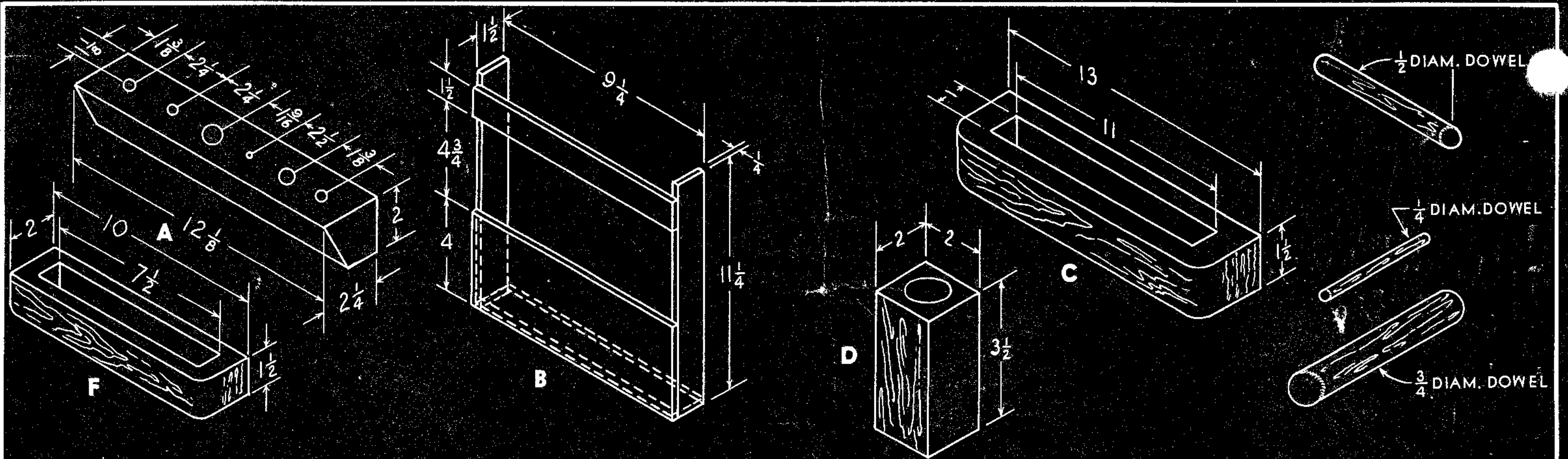


CUT TO FIT 2" X 4" SIDE



4" X 4" LEG DETAIL

SUGGESTED RACK FOR SHOPSMITH ATTACHMENTS



MATERIALS REQUIRED

- 1 - PANEL—One piece of plywood $\frac{1}{2}$ " thick x 36" wide x 48" long.
- 2 - ALTERNATE—5 pieces of lumber, cut to lengths of 48".
Boards, when placed together, may be secured with 3 strips mounted on back side.
- 3 - DOWEL PINS— $\frac{1}{4}$ ", $\frac{1}{2}$ " & $\frac{3}{4}$ " dia. dowels needed. Holes for dowels to be drilled to a depth of $\frac{1}{2}$ ". Apply glue and insert dowels.

DESCRIPTION AND MOUNTING

- VIEW A—Rack for holding knobs, chuck, chuck key, drive center and cup center.
- (a) Holes for knobs to be drilled thru using a $\frac{9}{16}$ " dia. drill.
 - (b) Hole for chuck $\frac{3}{8}$ " dia. x $\frac{1}{2}$ " deep.
 - (c) Hole for chuck key $\frac{1}{4}$ " dia. x 1" deep.
 - (d) Hole for drive center 1" dia. x $\frac{3}{4}$ " deep.
 - (e) Hole for cup center $\frac{5}{8}$ " dia. x 1" deep.
- Secure rack with glue and screws from back side.
- VIEW B—Rack for holding owner's guide. To be made from $\frac{1}{4}$ " plywood or another suitable $\frac{1}{4}$ " material.
- VIEW C—Rack for holding sanding disc. Secure with glue and screws from back side of board.

VIEW D—Rack for holding tool rest. Hole to be drilled thru using a $\frac{1}{8}$ " dia. drill. Secure with glue and screws from back side.

VIEW E—Miter gage mounting. Use two dowels $\frac{1}{2}$ " dia. x $2\frac{3}{8}$ " long.

VIEW F—Saw blade mounting. Secure with glue and screws from back side.

VIEW G—Rip fence. Use two dowels $\frac{1}{2}$ " dia. x $3\frac{1}{2}$ " long.

VIEW H—Table extension. Use two dowels $\frac{1}{2}$ " dia. x $4\frac{3}{4}$ " long.

VIEW I—Saw guard. Use one dowel $\frac{1}{4}$ " dia. x $2\frac{1}{4}$ " long.

VIEW J—Tail stock. Use two dowels $\frac{3}{4}$ " dia. x $2\frac{1}{4}$ " long.