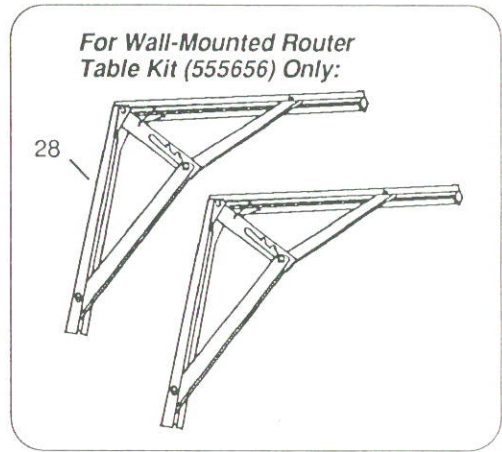
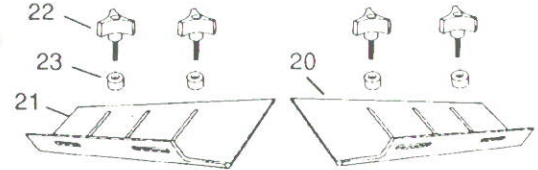
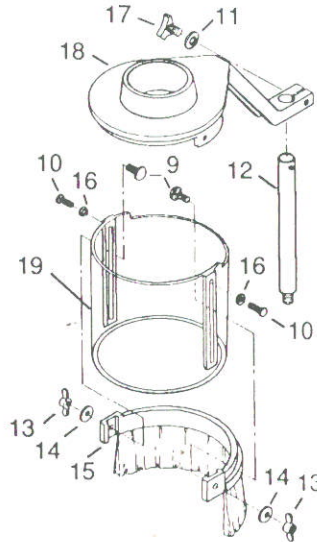
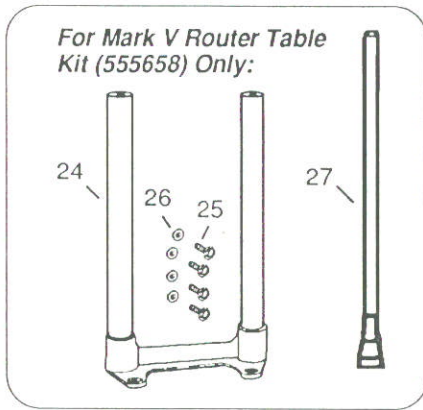
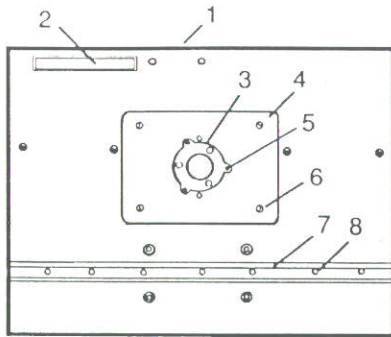




Mark V Router Table

- *Mark V Router Table Kit (555658)*
- *Wall Mounted Router Table Kit (555656)*



PARTS LIST

Ref. No.	Part No.	Description	Qty	Ref. No.	Part No.	Description	Qty
—	518078	Universal Router Table Asm. (includes 1-8)	1	17	515503	. Knob	1
1	518073	. Router Table	1	18	515543	. Support	1
2	514629	. Warning Label	1	19	515668	. Router Shield	1
*	515589	. Shims	16	—	515511	Router Fence (includes 20-23)	1
3	515498	. Insert	1	*	515209	. Decal Label	1
4	515973	. Blank Router Plate	1	20	515493	. Right Fence	1
5	515510	. Screw, Flat Head, #6-32 x 1/4"	3	*	514629	. Warning Label	1
6	515509	. Screw, Flat Head, 1/4-20 x 3/4"	4	21	515492	. Left Fence	1
*	515499	. Pin, 1/4"	1	*	515715	. Hardware Pack (incl. 22, 23)	1
*	515502	. Pin, 3/8"	1	22	516325	. Knob	4
*	515500	. Pin, 1/2"	1	*	513864	. Washer	4
7	518074	T-Slot	1	*	515582-01	. Insert	4
8	515508	Wood Screw, #8 x 1/2"	4	*	513686-11	. 5 mm Hex Key	1
—	515704	Support & Guard Asm (includes 9-19)	1	23	514089	. Spacer	4
9	126315	. Carriage Bolt, 1/4-20 x 1"	2	<i>For Mark V Router Table Kit (555658) Only:</i>			
10	448027	. Screw, 10-24 x 3/4"	2	—	555657	Extension Table Base Asm (includes 24-26)	1
11	513864	. Flat Washer	1	24	504273	. Base Extension	1
12	514487	. Hold Down Rod	1	25	513627	. Machine Screw	4
13	514494	. Wing Nut	2	26	120394	. Flat Washer	4
14	514537	. Flat Washer	2	27	514529	Telescoping Leg	1
15	514564	. Brush Assembly	1	<i>For Wall-Mounted Router Table Kit (555656) Only:</i>			
*	514629	. Warning Label	1	28	516880	Shelf Brackets (pair)	1
16	515126	. External Tooth Lock Washer	2				