

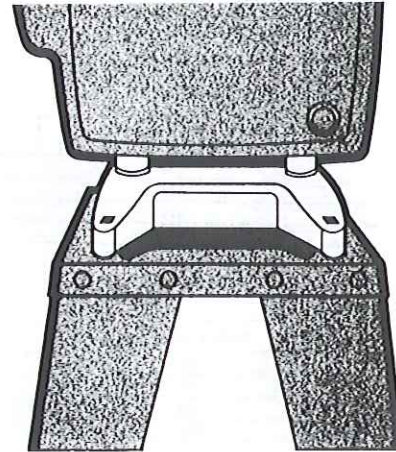


MOUNTING BASE 505655

INTRODUCTION

This mounting base allows you to quickly install on the Major Accessory Power Stand (513963) a Shopsmith Bandsaw, Belt Sander, Jointer, Scroll Saw, and Strip Sander. However, each Major Accessory requires its own set of pulleys and V-belt, so follow the enclosed Chart of Pulleys, Belts and Speeds. They are available through Shopsmith's Customer Service Department, Factory Outlet, or our website www.shopsmith.com.

You may permanently mount the Major Accessory of your choice, or you may switch Tools on your Power Stand. This versatile Mounting Base makes this possible. Also, you can purchase extra mounting bases on which to store your Major Accessories upon a shelf when you are not using them on your Mark V or Power Stand.

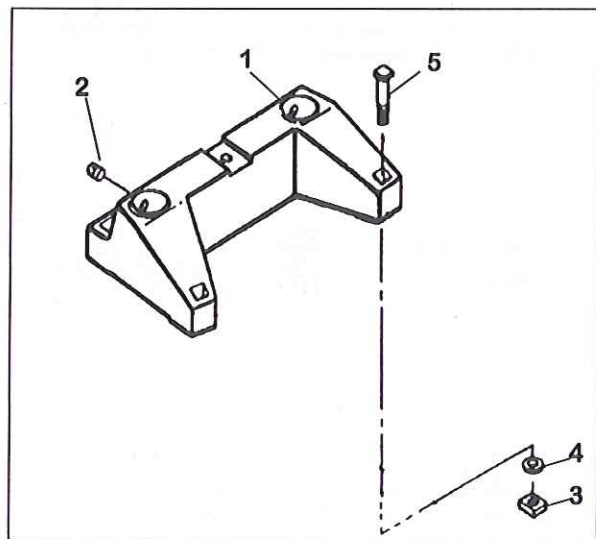


Before operating any Major Accessory on a Power Stand, be sure to consult the Power Stand Manual for Assembly and Alignment.

Parts List

Ref No.	Part No.	Item Description	Qty
--	505655	Mounting Base	
1	50276401*	. Mounting Base Mach	1
--	515712	. Hardware Pack (Incl. 2-5)	1
2	120373	.. Square Nut, 5/16"-18	4
3	120393	.. Flat Washer	4
4	222460	.. Set Screw	2
5	513621	.. Bolt, 5/16-18 x 1/4	4

*Not available as a service part.



NOTE

If you have any questions or need additional help, please call our Customer Service Department Toll Free 1-800-762-7555. Or visit our website at www.shopsmith.com.



Shopsmith Inc.
6530 Poe Avenue
Dayton, Ohio 45414

845007

Rev 11/04

© Copyright 2004 Shopsmith, Inc.
All rights reserved
Printed in U.S.A.

CHART OF PULLEYS, BELTS, AND SPEEDS

Shopsmith Accessory Pulley Kit Item No.	20" Scroll Saw		11" Bandsaw	4" Jointer	6" Beltsander	Strip Sander	
	N/A	N/A					
Motor Pulley Shopsmith Item No.	2 1/2"-1 1/2"-1 1/2" 1/4"	1-3/4"-1 1/4"-1 1/2"-3/4"-1/2" 1/4"	2 7/8" 51389001	4.5" 51386803	4.5" 51386803	2 7/8" 51389001	2 7/8" 1/4" 505653
Tool Pulley Shopsmith Item No.	1-3/4"-1 1/4"-1 1/2"-3/4"-1/2" 1/4"	2 7/8"-1 1/2"-1 1/2" 1/4"	4.5" 51386803	2" 505651	3" 517913	3.5" 51386801	
Standard V-Belt Shopsmith Item No.	30" 51385401	26" 51385407	40" 51385403	30" 51385401	38" 51385404	35" 51385406	
	Standard Set-Up Wood & Plastic	Optional Set-Up Plastic & Metals					