


Shopsmith Inc.

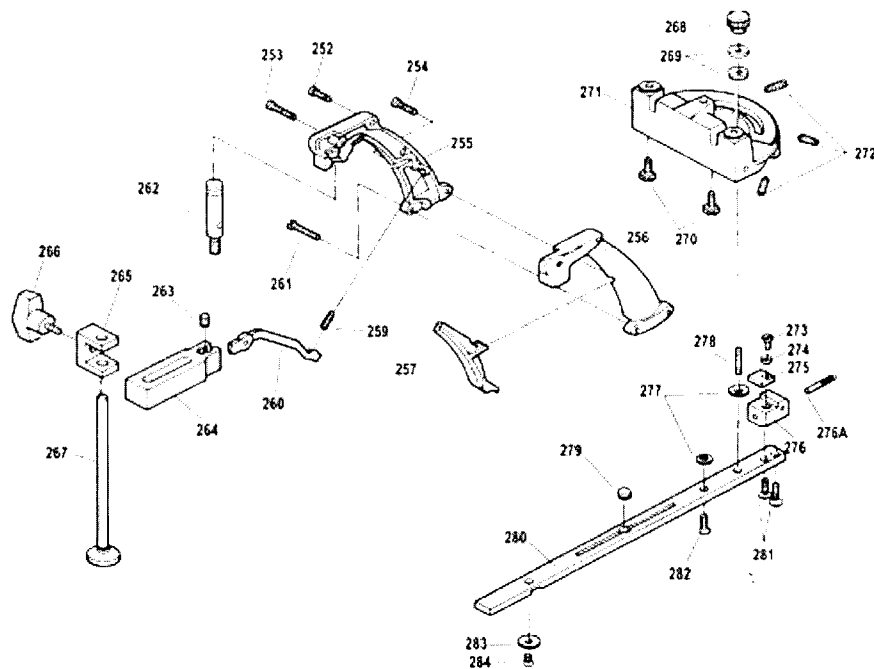
Owner's Site | View Cart | Keyword Search | Item # Search | Privacy | Customer Service

Working Hard To Be Your Lifetime Woodworking Partner!
[Catalogs](#)
[Tips](#)
[Education](#)
[MARK V](#)
[Projects](#)
[Shopsmith](#)
[Archives](#)
Service & Repair Parts Catalog

- ▶ [Parts Item Index](#)
- ▶ [MARK V 500, 510, & 520](#)
- ▶ [Bandsaw](#)
- ▶ [Belt Sander](#)
- ▶ [Dust Collector](#)
- ▶ [Jointer](#)
- ▶ [Scroll Saw](#)
- ▶ [Strip Sander](#)
- ▶ [MARK V Mounted Thickness Planer](#)
- ▶ [Pro Planer](#)
- ▶ [Miscellaneous Accessories](#)
- ▶ [Most Common MARK V Problems](#)
- ▶ [17 Most Frequently Ordered Parts](#)

MARK V Models 500/505/510/520 Miter Gauge & Safety Grip

[Print this page out for future reference, then click here to go back to Parts List.](#)



© 2007 Shopsmith Inc.
All rights reserved.